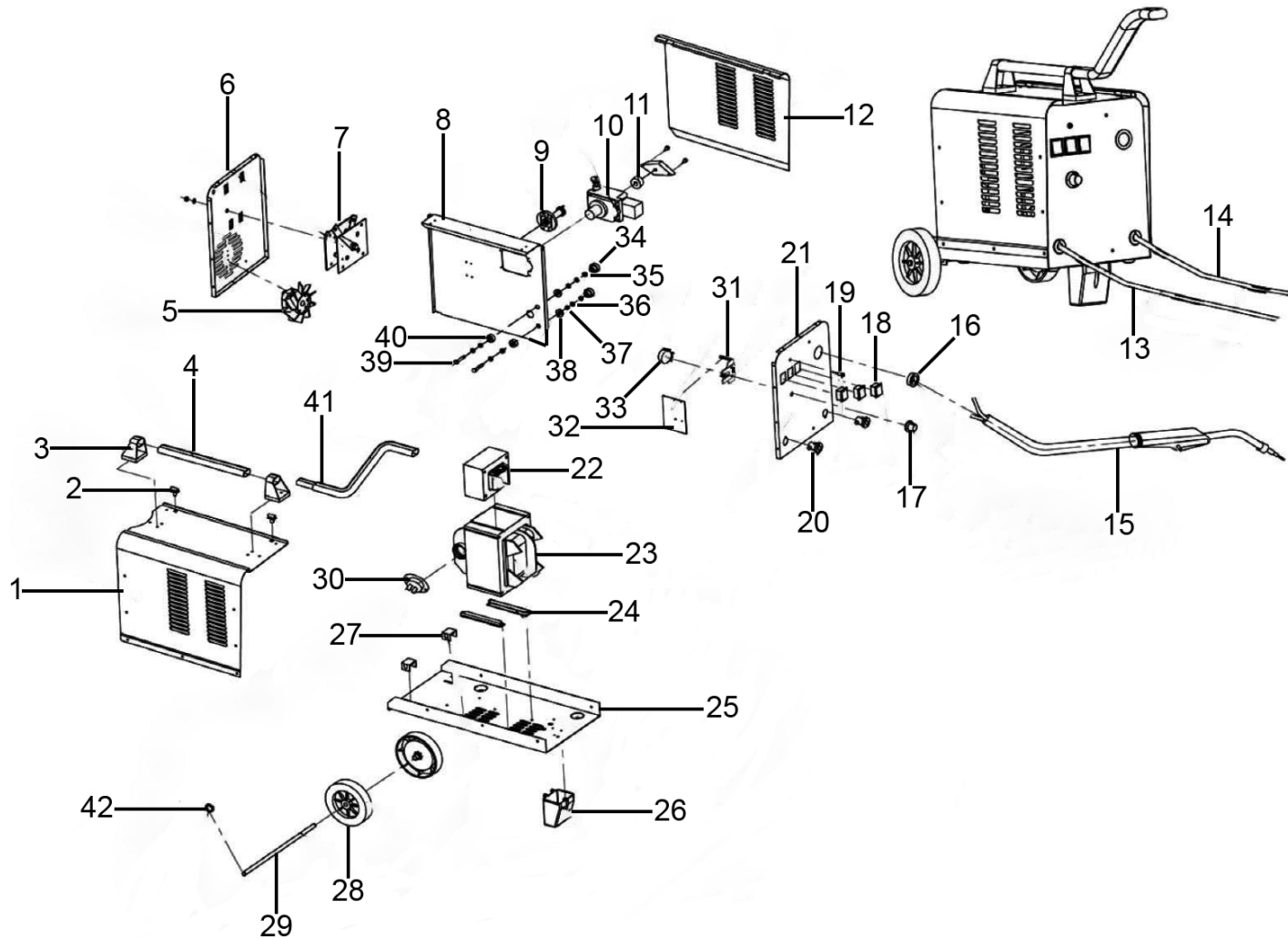




Parts Information:  
**Professional Gas/No-Gas MIG Welder 150A 230V**  
**Model No: MIGHTYMIG150**



**NOTE:** It is our policy to continually improve products and as such we reserve the right to alter data, specifications and component parts without prior notice.

There may be alternative versions of this product, please contact us should you require this information.

**IMPORTANT:** No liability is accepted for incorrect use of product. Spare parts must be fitted by a competent person

**WARRANTY:** Guarantee is 12 months from purchase date, proof of which will be required for any claim.

Sealey Group, Kempson Way, Suffolk Business Park, Bury St Edmunds, Suffolk. IP32 7AR



01284 757500



01284 703534



sales@sealey.co.uk



www.sealey.co.uk



Parts Information:  
**Professional Gas/No-Gas MIG Welder 150A  
230V**  
**Model No: MIGHTYMIG150**

Item	Part No.	Description
1	M/MIG150.01	Side Panel, B
2	M/MIG210.09	Hinge
3	M/MIG150.03	Handle Socket
4	M/MIG150.04	Handle
5	M/MIG150.05	Fan
6	M/MIG150.06	Back Panel
7	M/MIG150.07	Rectifier
8	M/MIG150.08	Middle Panel
9	M/MIG150.09	Reel Holder
10	M/MIG150.10	Wire Feed Unit
11	M/MIG150.11	Wire Feed Roller
12	M/MIG150.12	Side Panel, A
13	MC3CX1.5	Mains Cable
14	M/MIG150.14	Earth Cable (c/w Clamp)
15	M/MIG150.15	Mig Torch
16	M/MIG150.16	Cover
17	M/MIG250.20	Speed Control Knob
18	M/MIG150.18	switch, Rocker
19	M/MIG150.19	Overload Indicator
20	M/MIG170.63	Cable Tip
21	M/MIG150.21	Front Panel
22	M/MIG150.22	Filter Reactor
23	M/MIG150.23	Main Transformer
24	M/MIG150.24	Bracket, Transformer
25	M/MIG150.25	Bottom Plate
26	M/MIG150.26	Foot
27	M/MIG150.27	Axle Bracket
28	M/MIG150.28	Wheel, Fixed

Item	Part No.	Description
29	M/MIG150.29	Axle
30	M/MIG150.30	Temperature Control
31	M/MIG150.31	Bracket, Control Circuit Board
32	M/MIG150.32	Control Circuit Board
33	M/MIG150.33	Potentiometer
34	M/MIG150.34	Knob
35	M/MIG150.35	Nut M6, Brass
36	SWM6.SB	Spring Washer M6 Black
37	RW619.S	Repair Washer M6 x 19mm
38	M/MIG150.38	Insulating Washer
39	M/MIG150.39	Screw M6 x 35mm
40	M/MIG150.40	Insulating Washer
41	M/MIG150.41	Handle Extension
42	M/MIG150.42	E-Clip
--	M/MIG210.09A	Hinge (Not Shown)
--	M/MIG100.24	Reel Spring (Not Shown)
--	SN6.SW	Wing Nut M6 (Not Shown)
--	M/MIG150.43	Guide Hose, Liner (Not Shown)
--	TG100/1	Flux Cored MIG Wire (Not Shown)
--	TG100/2	Contact Tip 1mm (Pack of 5)(Not Shown)
--	DAS150TV3-36	Rd Head S/T Screw M4 x 12mm, Black (Not Shown)
--	DAS150TV3-42	Rd Head S/T Screw M4 x 20mm (Not Shown)
--	M/MIG100.07	Switch, Power Rocker (Not Shown)
--	MIG/GH	Gas Hose, Black Nylon (Not Shown)
--	SMIG180.V3-43	Gas Hose (Not Shown)
--	SMIG130.08	Belt (Not Shown)
--	M/MIG150.STR	Tank Strap (Not Shown)

**NOTE:** It is our policy to continually improve products and as such we reserve the right to alter data, specifications and component parts without prior notice. There may be alternative versions of this product, please contact us should you require this information.

**IMPORTANT:** No liability is accepted for incorrect use of product. Spare parts must be fitted by a competent person

**WARRANTY:** Guarantee is 12 months from purchase date, proof of which will be required for any claim.

**Sealey Group**, Kempson Way, Suffolk Business Park, Bury St Edmunds, Suffolk. IP32 7AR



01284 757500



01284 703534



sales@sealey.co.uk



www.sealey.co.uk